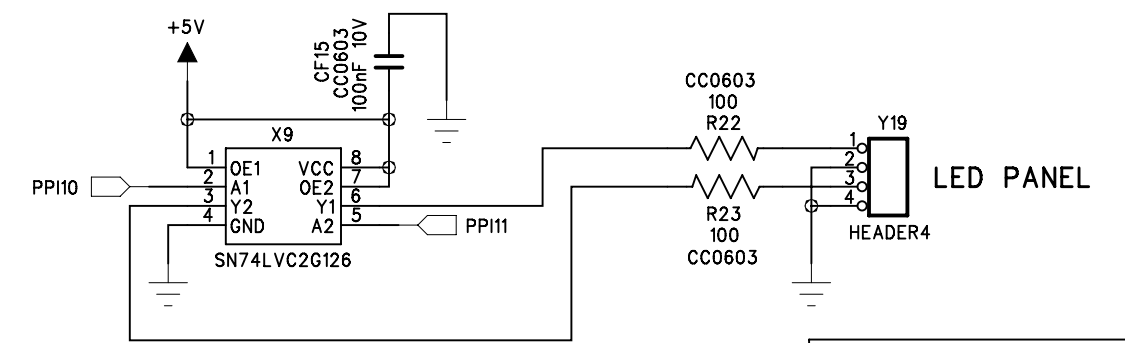
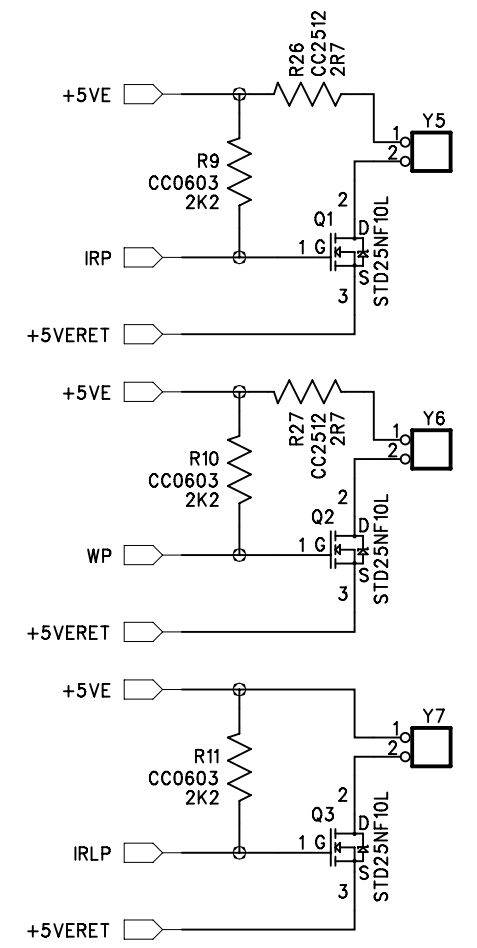
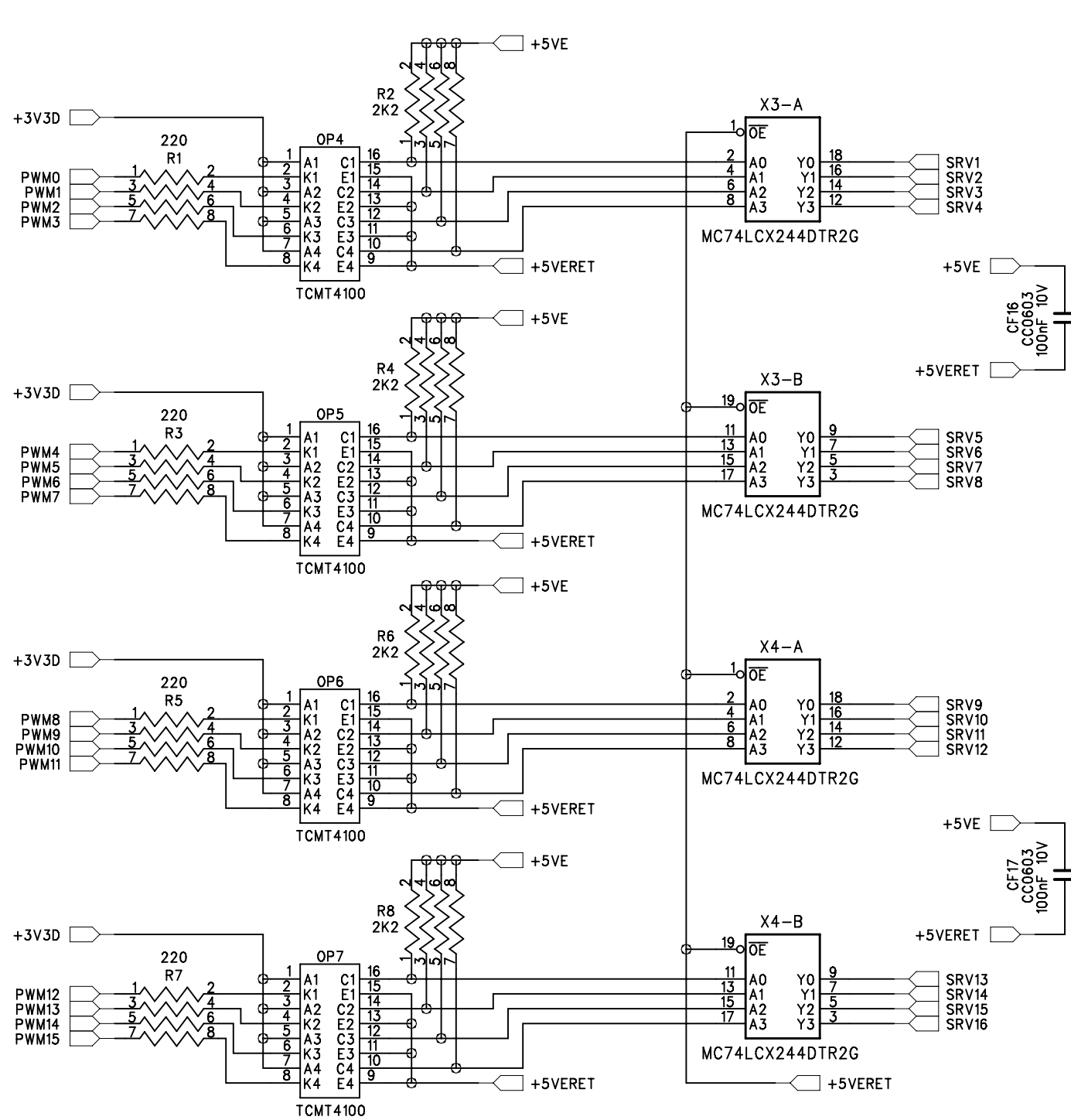
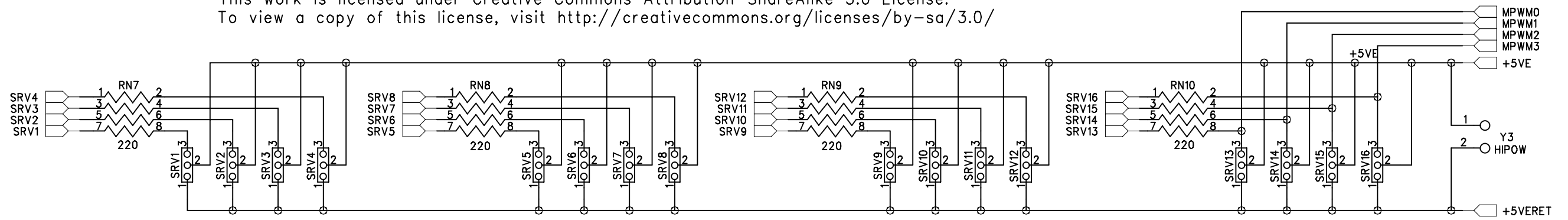


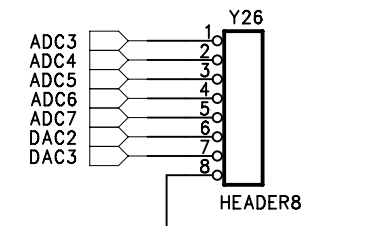
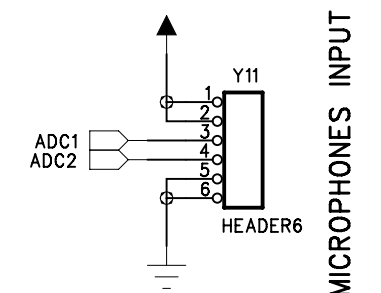
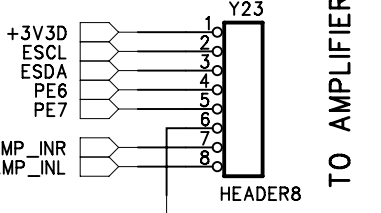
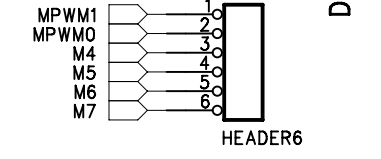
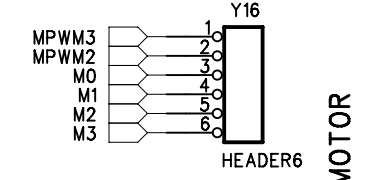
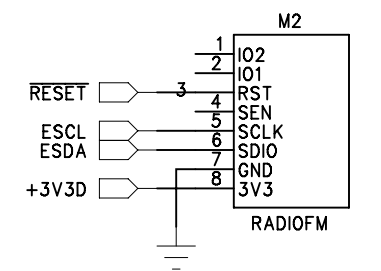
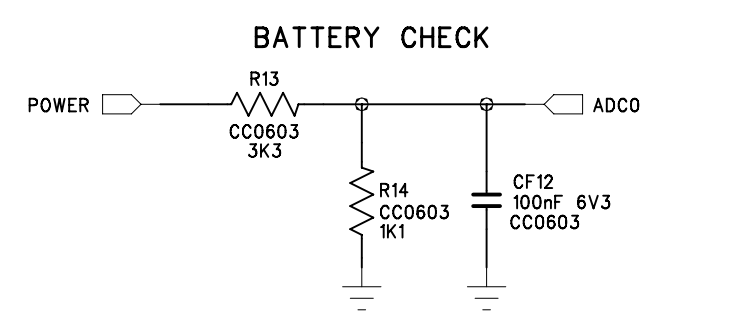
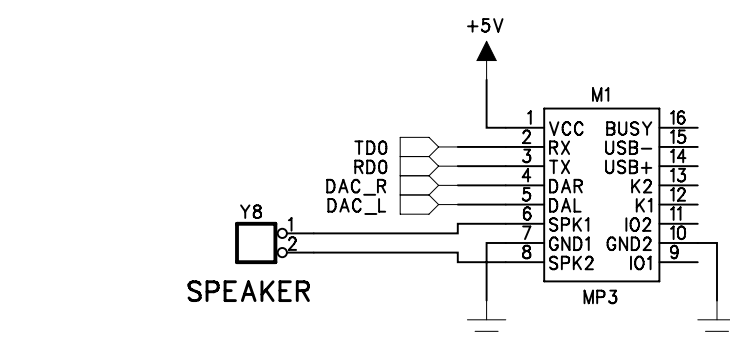
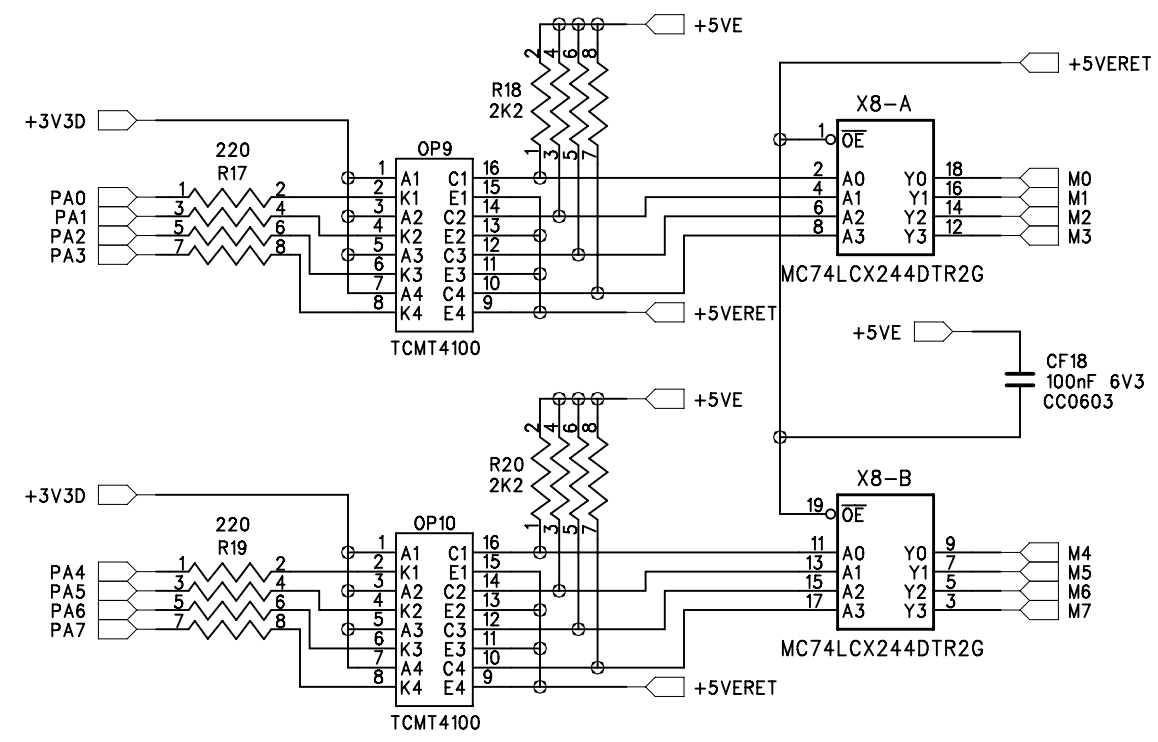
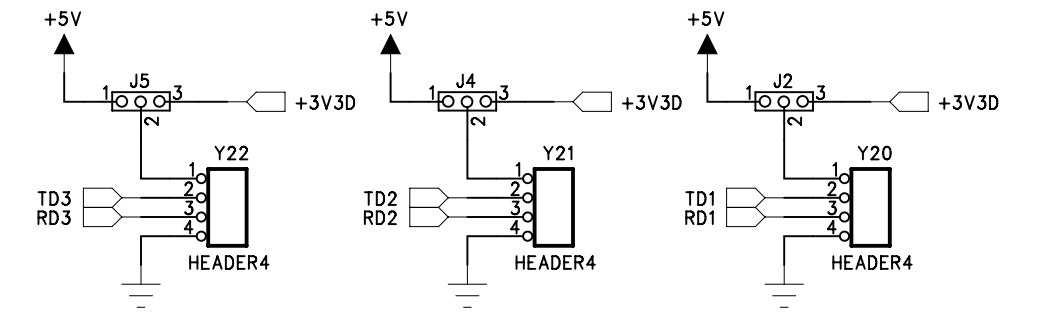
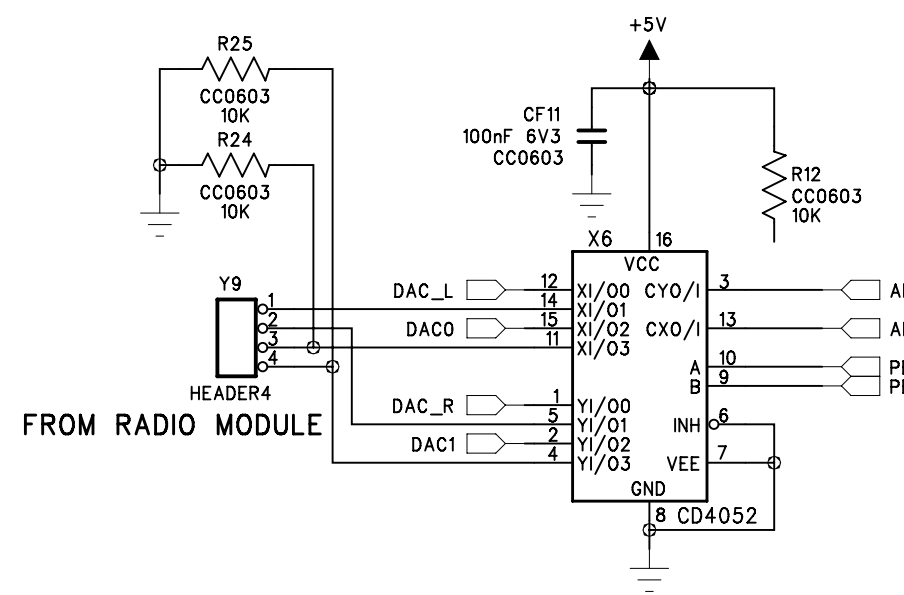
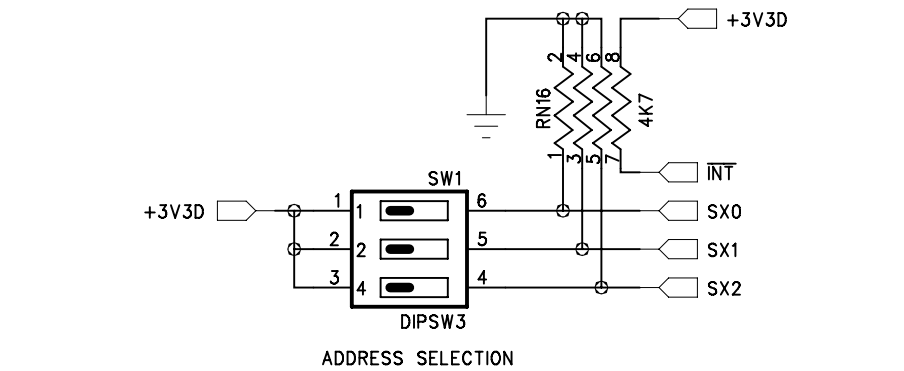
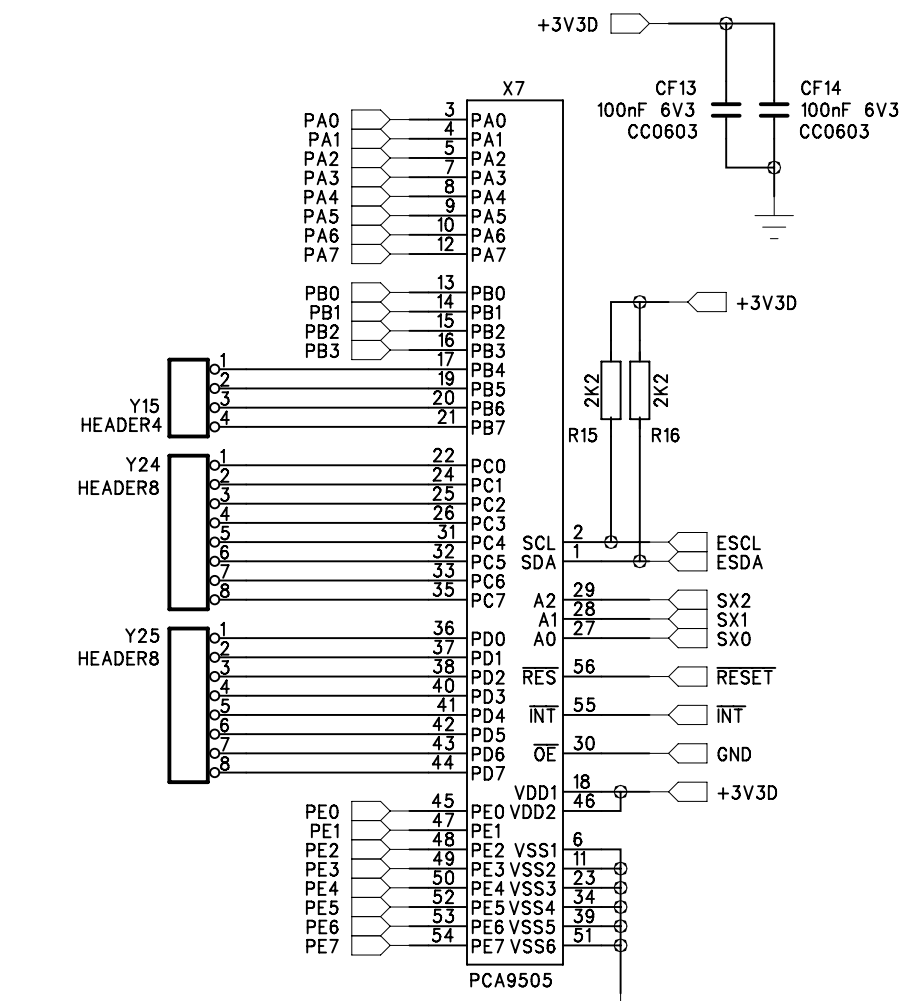
SONAR

Rev. 1.1 -> M2 add RESET
 Rev. 1.1 -> Add R26:R31, CF13-17
 Rev. 1.1 -> X5.6 to GND, X6.6 to GND

Rev. 1.1

OFFICINA TURINI	
FILE:	OTUS.SCH
SHEET	1 OF 3
DATE	4 January 2021
DRAW	





Copyright (C) 2021 Manuele Turini <info@officinaturini.com>
 This work is licensed under Creative Commons Attribution-ShareAlike 3.0 License.
 To view a copy of this license, visit <http://creativecommons.org/licenses/by-sa/3.0/>

OFFICINA TURINI	
FILE:	OTUS.SCH
SHEET	3 OF 3
DATE	4 January 2021
DRAW	