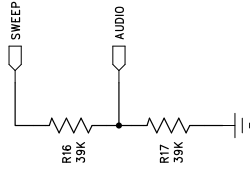
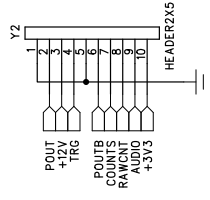
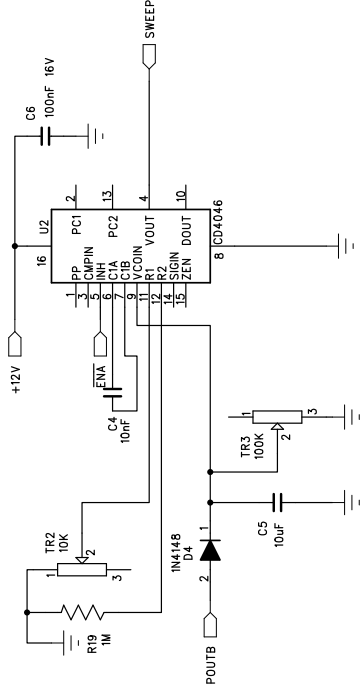
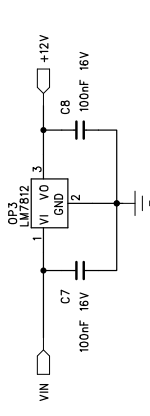
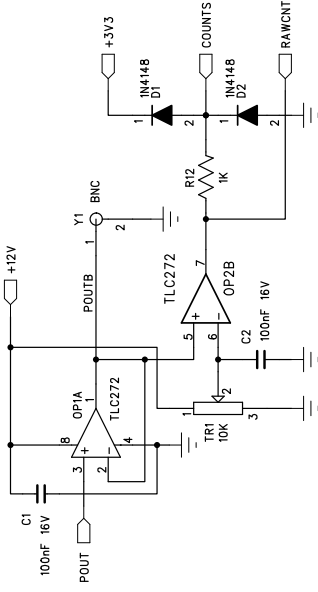
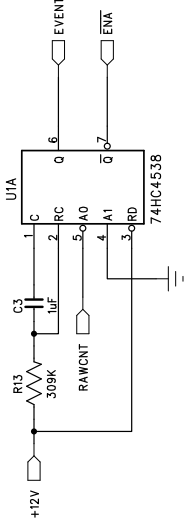


150 ms



# Nuclear Rain Interface (C) 2024 Officina Turini All Rights Reserved

OFFICINA TURINI
FILE: NR-1.SCH
SHEET 1 OF 1
DATE 14 January 2024
DRAW